



B-SERIES

PARTS COUNTERMAN'S CATALOG

Section 11

Water - Low Pressure (Supply) Side





B-SERIES WATER TANK CHANGES

1ST GENERATION (Gen 1) – Circa 1992 to Circa 1996



The tank straps are taller than the tank with the attaching turnbuckles going over the top of the tank. A plastic blow-molded cleanout lid screws into the tank. These tanks are obsolete (NLA). Can be retrofitted with Gen 2 tanks, but requires modifications to the tank shelf. Instructions are available upon request.

2ND GENERATION (Gen 2) – Circa 1996 to early 2014 (overlap)



The tank straps are shorter than the tank with the attaching turnbuckles going through a window near the top of the tank. A black plastic cleanout lid is attached to the tank with sheet metal screws. Gen 2 tanks are still available for service replacement only.

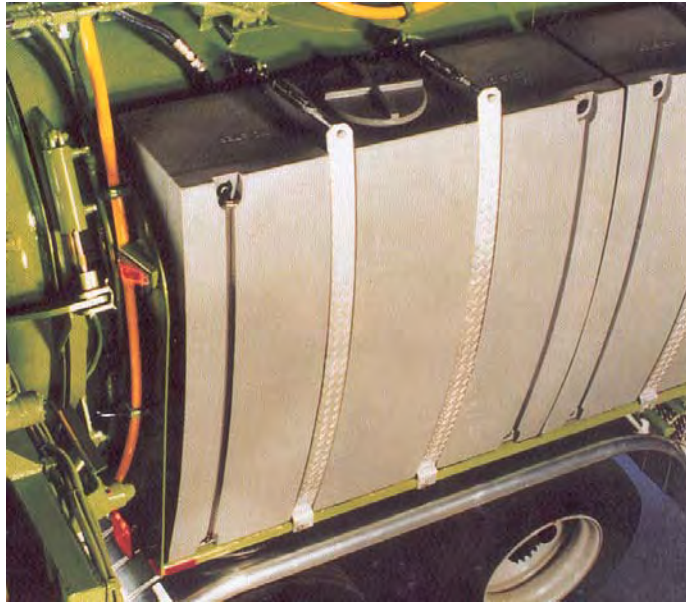
3RD GENERATION (Gen 3) – Late 2013 (overlap) to Present



The tank straps are taller than the tank. This design does not use turnbuckles, but has instead, retainer straps going across the top of the tank. The cleanout lid is a round metal plate with a PVC vent tube in the center and is held on with sheet metal screws. Due to extensive changes on the underside, this tank will not retrofit earlier designs.



B-SERIES EARLY STYLE POLY WATER TANKS (CIRCA 1991 – 1995)



Note the tank strap turnbuckles are above the water tanks.

- A243501..... Right Hand Rear Water Tank –NLA
- A243524..... Left Hand Front Water Tank - NLA
- A243815..... Right Hand Front Water Tank – NLA
- A243816..... Left Hand Rear Water Tank – NLA

- A176785..... 3/8”NPT Gray PVC Plug
- A176790..... 1” Uni-Seal
- A176794..... 6” Uni-Seal
- A176820..... Poly Lid (Screw In Style) – NLA
- A176821..... Rubber O-Ring For Lid
- A190771..... 3.5” OD O-Ring
- A243601..... 1”NPT Nipple, 3¾” Long
- A246448..... 6” PVC Transfer Tube

A140170 - 3”NPT TO 3”HOSE KING NIPPLE



A176782 – 3”FNPT SCH80 PIPE COUPLING



B-SERIES POLY SADDLE TANKS WITH AQUATECH LOGO



Saddle tanks featuring the Aquatech logo have been discontinued for some time. They were referred to as “decaled tanks”. Below is chart showing the “plain” replacement tanks if your unit’s bill of material calls for a decaled tank. These are 2nd generation (Gen 2) tanks only, as we stopped featuring the logo on the water tanks before the 3rd generation tanks were introduced.

OLD DECALED TANK	PLAIN VERSION
A246104-DL	A246104-L
A246104-DR	A246104-R
A246108	A381563
A246109	A381564

GEN 2 POLY SADDLE TANKS

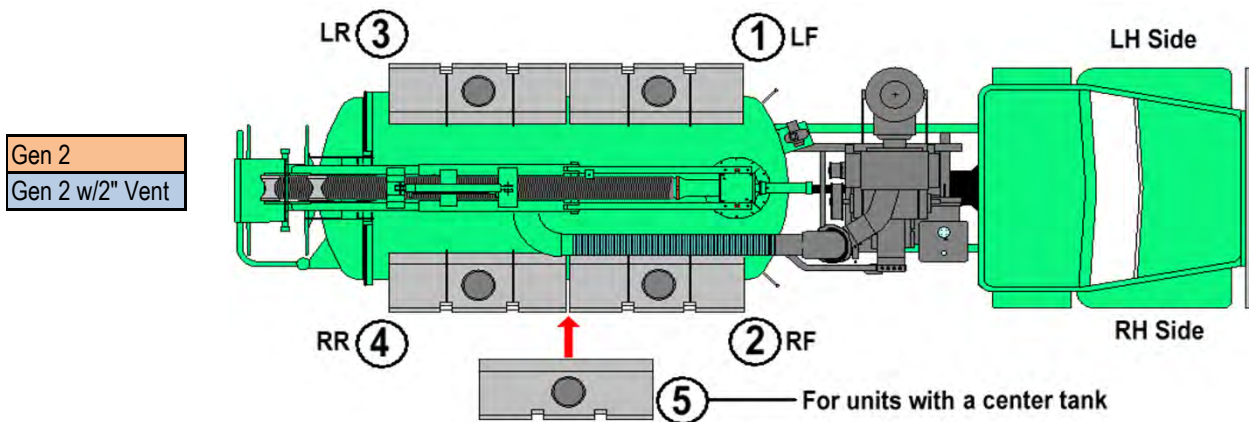
Mid-1990s to Early 2014

LR - Left Rear (Position 3)

PART NO.	APPLICATION	NOTES
A246116	Standard for all 4 and 6 tank units	2, 4, 7
A246116-UNV	Has return port for Unloader Valve	2, 4, 7
A246116-B6	B6	4, 7
A246116-B6/800	B6/800	4, 7
A245218	B3	1, 4, 7
A246116-1	A246116 w/2" Tank to Tank Vent	2,3,4,7

LF - Left Front (Position 1)

PART NO.	APPLICATION	NOTES
A381563	B10, B12, B15 & B15/1000	
A246141	A381563 w/Front Sight Tubes	6
A381563-2	A381563-1 w/Hinged Fill Cap	1
A246104-L	B7 & B52	5
A246138	B7 & B52 w/Front Sight Tubes	5, 6
A381563-1	A381563 w/2" Tank to Tank Vent	
A246104-L-1	A246104-L w/2" Tank to Tank Vent	5



RR - Right Rear (Position 4)

PART NO.	APPLICATION	NOTES
A246117	Standard for all 4 and 6 tank units	
A246117-B6	B6	1
A246117-B6/800	B6/800	1
A245219	B3	6
A246117-1	A246117 w/2" Tank to Tank Vent	3

RF - Right Front (Position 2)

PART NO.	APPLICATION	NOTES
A381564	B10, B12, B15 & B15/1000	1
A246142	A381564 w/Front Sight Tubes	1, 6
A246104-R	B7 & B52	1, 5
A246139	B7 & B52 w/Front Sight Tubes	1, 5, 6
A381564-1	A381564 w/2" Tank to Tank Vent	1
A246104-R-1	A246104-R w/2" Tank to Tank Vent	1, 5

Poly tanks weigh approximately 250 lbs. (115 kg) each.

All replacement tanks will be gray in color.

NOTES:

- Includes Fill Lid
- Includes p/n A246448 6" Transfer Tube
- Includes p/n A246448-1 2" Tank to Tank Vent Tube
- Specify when ordering if load level option is installed
- Also fits B6/1500, B7/1500, B10/300, B10/500, B10/1000, B10/1300, B10/1500 & B10/2000, B10/2500 & B12/2000
- Has sight tubes installed
- A120062-1 Low Water Sensor is not included



LC or RC - Left Center or Right Center (Position 5)

PART NO.	APPLICATION	NOTES
A246118-1	All 6 tank units	2
A246118-2	6 Tank units w/2" Tank to Tank Vent	3

GEN 3 POLY SADDLE TANKS

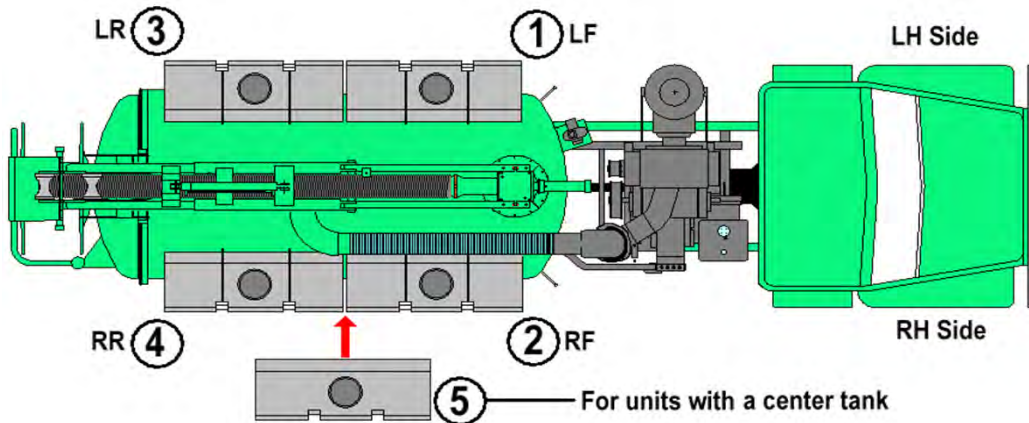
Late 2013 to Current

LR - Left Rear (Position 3)

PART NO.	APPLICATION
A385212	R Sight Tube, Vented Cover, Float Switch
A385212-1	R Sight Tube, Hinged Fill Lid w/Vent, Float Switch
A385212-3	F&R Sight Tubes, Float Ball Fill Lid, Float Switch
A385213-2	F Sight Tube, Vented Cover, Float Switch Port
300000303	Plain Tank (No Spinwelds), Vented Cover

LF - Left Front (Position 1)

PART NO.	APPLICATION
A385210-1	Hinged Fill Lid w/Vent
A385210-2	F Sight Tube, Vented Cover
300000303	Plain Tank (No Spinwelds), Vented Cover



RR - Right Rear (Position 4)

PART NO.	APPLICATION
A385213	R Sight Tube, Vented Cover, Rearward Return
A385213-1	Sight Tube, Hinged Fill Lid, Rearward Return
A385213-3	Vented Cover, Forward Return
A385214	R Sight Tube, Float Ball Fill Lid, Rearward Return
A385214-1	F&R Sight Tubes, Float Ball Fill Lid, Rearward Rtrn
300000303	Plain Tank (No Spinwelds), Vented Cover

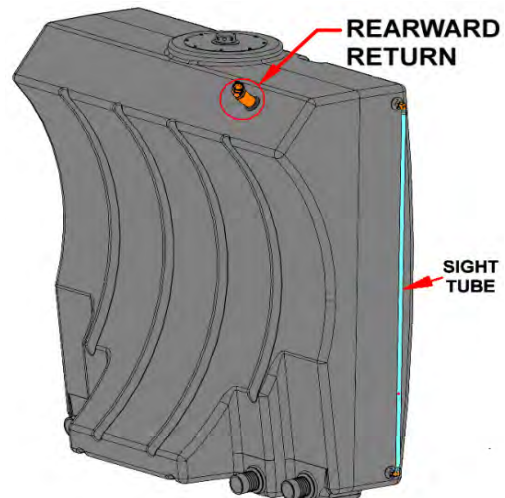
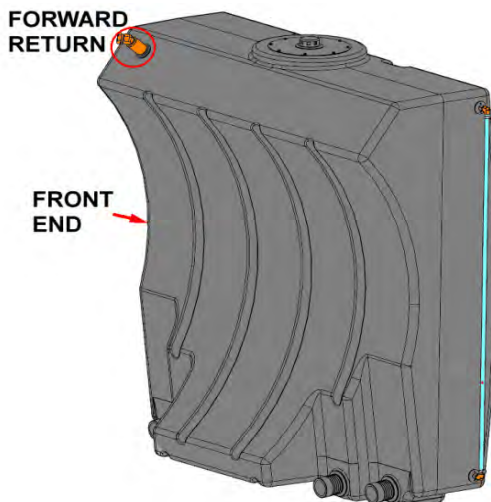
RF - Right Front (Position 2)

PART NO.	APPLICATION
A385211	Float Ball Fill Lid
A385211-1	F Sight Tube, Float Ball Fill Lid

LC or RC - Left Center or Right Center (Position 5)

PART NO.	APPLICATION
300000303	Plain Tank (No Spinwelds), Vented Cover

Poly tanks weigh approximately 250 lbs. (115 kg) each.





B-SERIES WATER TANK LIDS



A176820 Gen 1 Lid
Obsolete (NLA)



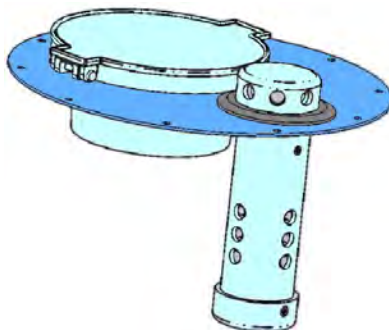
A246122 Gen 2 Lid



A246123 Early Gen 2 Fill Lid (NLA)
Replaced By 300000314



300000314 Late Gen 2 & Gen 3 Fill Lid
(Replaces A384671)



A385432 Gen 3
Hinged Fill Lid with
Vent



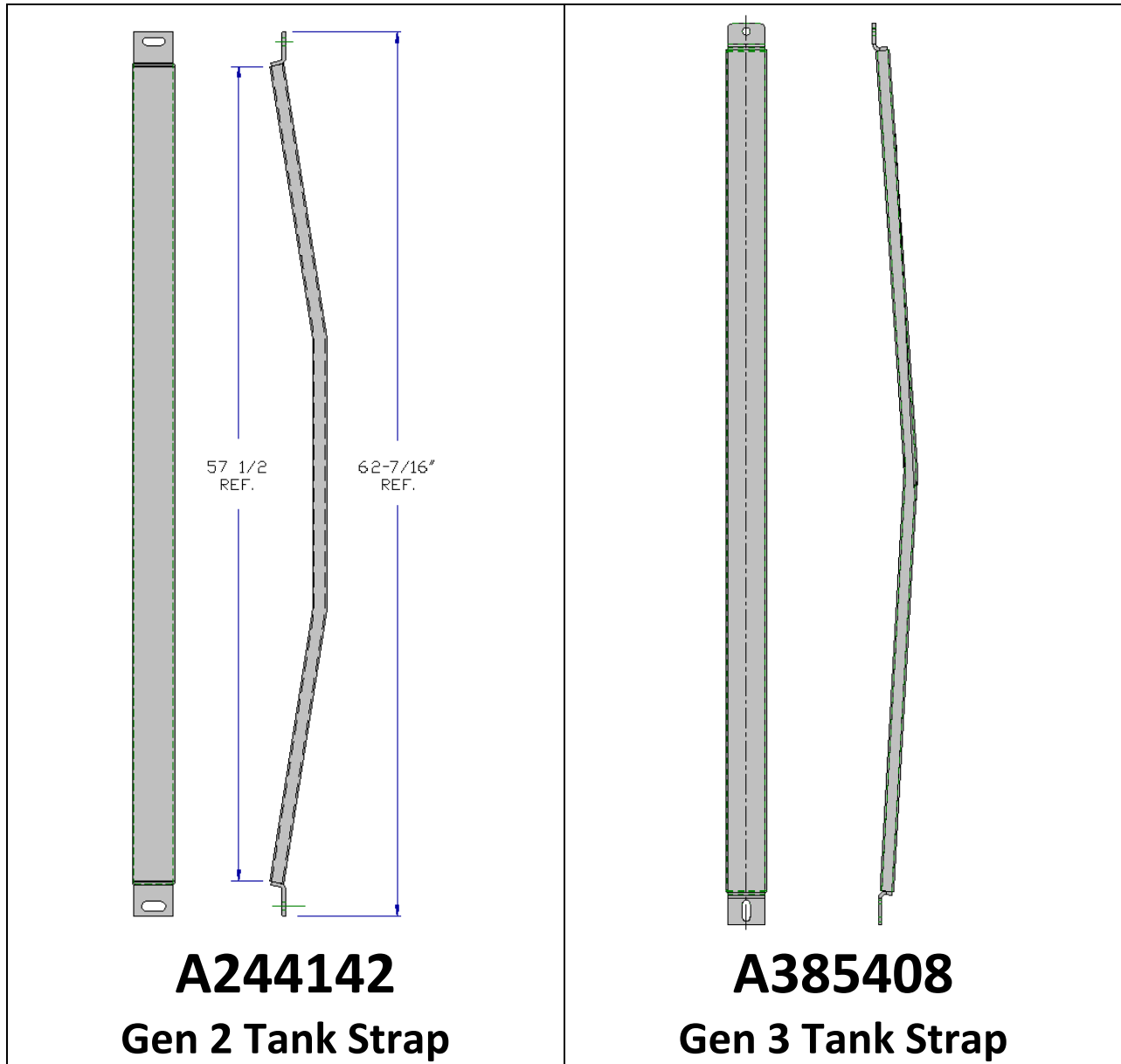
A384670 Gen 2
Vented Lid



300000305 Gen 3
Vennted Lid
(Replaces A385427)



B-SERIES WATER TANK STRAPS



300000597 (replaces A385436)	Gen 3 Water Tank Strap w/Sign Mounts, 3 Lug (outer)
A385439	Gen 3 Water Tank Strap w/Sign Mounts, 2 Lug (inner)

Revised 8/24/2018



B-SERIES TANK STRAP RETAINERS

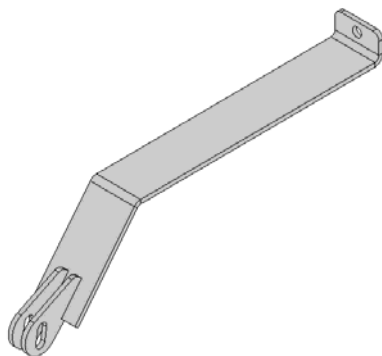
A223642

Turnbuckle Assembly with 5/8-11 Clevis and 6" Bolt
for Gen 2 Poly Tanks.



A385412

Top Retainer Strap for Gen 3 Poly Tanks.





121004176 rev A

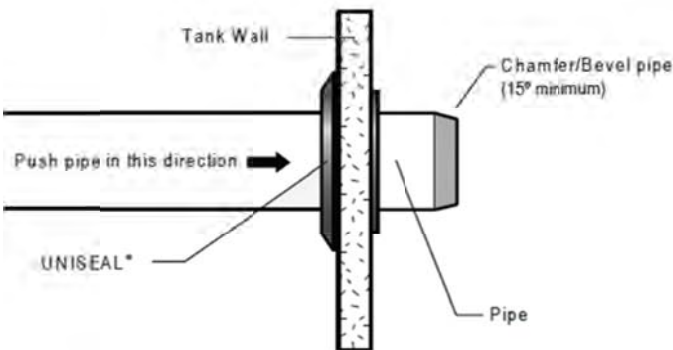
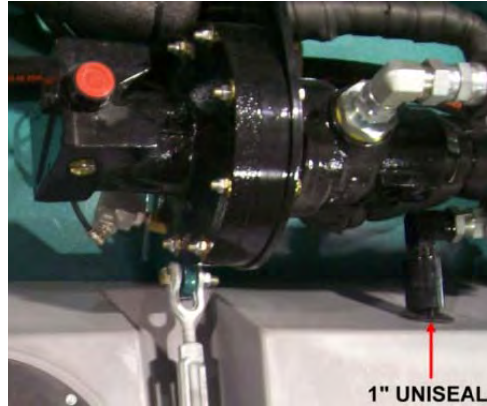
EXPORT TANK STRAP BRACKETS

Starting in 2017, the bracket pictured below is used on South American KD units because those units had to have narrower water tank shelves to allow the body to fit into a shipping container.





UNISEAL GROMMETS



ID SIZE	PART NUMBER
1"	A176790
2"	A176793
6"	A176794

PVC INTERTANK TRANSFER TUBES

	SIZE	PART NUMBER
	<p>2" Vent tube used on late Gen 2 Water Tanks</p>	<p>A176793 2" UNISEAL</p> <p>A246448-1 2" TRANSFER TUBE</p>
	<p>6" Water transfer tube used on Gen 1 & 2 Water Tanks</p>	<p>A176794 6" UNISEAL</p> <p>A246448 6" TRANSFER TUBE</p>

WATER TANK INTER-CONNECT HOSE

B-6/XXXX, B-7, B10/XXXX, B-12/XXXX, B-15/XXXX, & B-52

PART NUMBER	DESCRIPTION	A249274	A249274-1	A249274-2	A249274-3	A249274-4
135-0655	COUPLING, FULL, 3" NPT, PVC, SCH. 80				2	2
A176205	HOSE, RUBBER, 3" MARINE EXH, NON-WIRE REINF		8			
A176788	NIPPLE, KING, 3" MNPT X 3" BARB, SCH80 POLY		4	4	4	2
A176799-1	NIPPLE, SCH80, PVC, 3" X CLOSE		2	2	2	
A176799-5	NIPPLE, SCH80, PVC, 3" X 12" LG.		2			2
A176799-6	NIPPLE, PIPE, PVC, 3" DIA X 16" L,				2	
A176807	ELBOW, SCH80, 90D. 3" F X 3" F THREAD		4	2	2	
A220625	CLAMP, HOSE, #56SS WORM GEAR, 3.063" -4"	8	8	8	8	8
A338048	HOSE, TANK CONNECT, MOLDED EL, B-10/300 ETC	2		2	2	2



WITH HOSE P/N A338048
(CUT TO FIT)



WITH A176205
MARINE HOSE



WITH A338048 HOSE

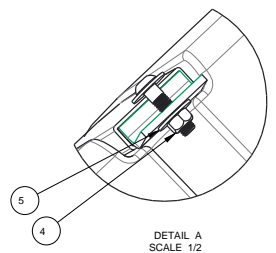
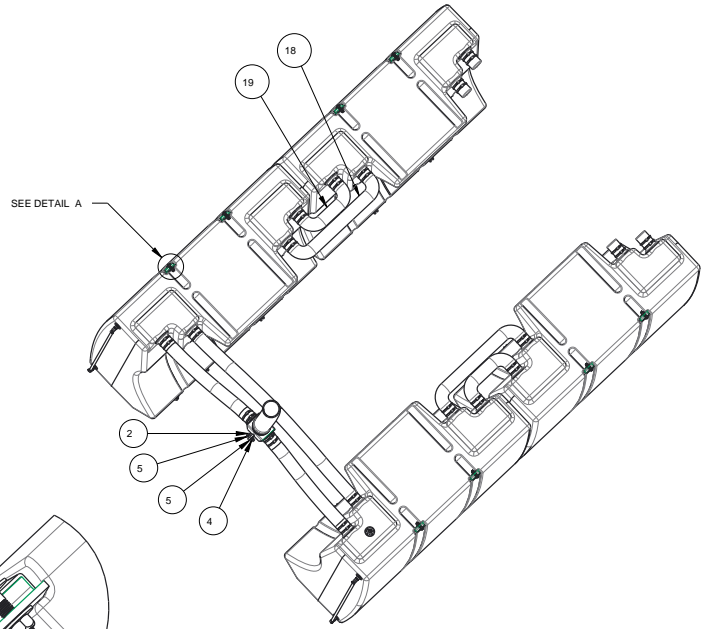
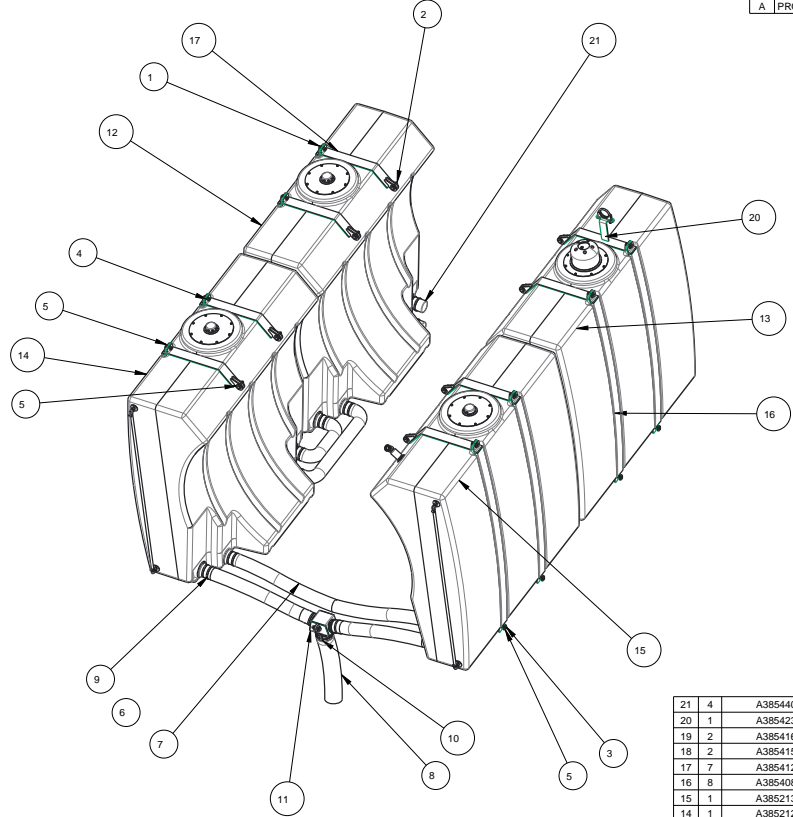
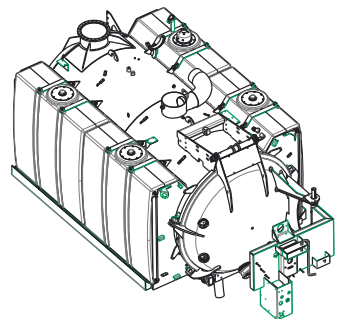


B6/800 or B10/1300 W/A338048 HOSE

3rd Generation Water Tanks

CONFIDENTIAL-NOT FOR PUBLICATION
 THIS DRAWING, INCLUDING SPECIFICATIONS OR OTHER DATA, IS THE PROPERTY OF HI-VAC CORPORATION. THE USE THERE OF IS CONDITIONED UPON THE USER'S AGREEMENT NOT TO DISCLOSE THE DRAWING TO OTHERS, OR TO REPRODUCE THE DRAWING IN WHOLE OR IN PART, OR TO USE THE DRAWING TO REPRODUCE THE INFORMATION THEREIN, OR FOR ANY OTHER PURPOSE, WITHOUT WRITTEN PERMISSION FROM HI-VAC CORPORATION.

REVISION HISTORY			
REV	DESCRIPTION	DATE	BY
A	PRODUCTION RELEASE	Mar-10-14	



ITEM	QTY	PART NO.	DESCRIPTION
21	4	A385440	CAP, WATER TANK SNOUT
20	1	A385423	WATER TANK RETAINING ASSY.
19	2	A385416	HOSE-SHORT, WATER TANK, INNER CONNECT
18	2	A385415	HOSE-LONG, WATER TANK, INNER CONNECT
17	7	A385412	RETAINING STRAP WELDMENT, UPPER
16	8	A385408	WATER TANK RETAINING ASSY
15	1	A385213	POLY TANK, RR B-SERIES.
14	1	A385212	POLY TANK, LR B-SERIES.
13	1	A385211	POLY TANK, RF B-SERIES.
12	1	A385210	POLY TANK, LF B-SERIES.
11	1	A241293	WELDMENT, SUCTION TEE, 3 TO 4
10	2	A220710	CLAMP, BAND, CENTER PUNCH, 6 ID
9	36	A220625	CLAMP, HOSE #56SS WORM GEAR, 3.063"-4"
8	1	A176480-1	HOSE, RUBBER, 4 X 25 LG.
7	1	A176205_63_25	HOSE, RUBBER, 3" MARINE EXH, 63-1/4" LG.
6	2	A176205-33	HOSE, RUBBER, 3" MARINE EXH, 32 5/8" LG.
5	42	7950180102	WASHER, FLAT, 1/2
4	25	7660181010	NUT, HEX, TOP LOCK, 1/2"-13
3	8	7119181640	SCREW, BUTTON HEAD, 1/2, 13 X 2 SS
2	9	7118181650	SCREW, CAP, HEX HEAD, 1/2-13 X 2.0"
1	8	7118181250	SCREW, CAP, HEX HEAD, 1/2-13 X 1.5"

UNLESS OTHERWISE SPECIFIED DIMENSIONS ARE IN INCHES.
 TOLERANCES ARE:
 DECIMALS .015
 ANGLES .02
 FRACTIONAL ± 1/16
DO NOT SCALE DRAWING

APPROVALS: DRAWN: LAS, CHECKED: -
 DATE: Mar-10-14

MATERIAL: SEE BOM
 RAW MATERIAL NUMBER: -
 UNIT OF MEASURE: -

SCALE: 1/16

117 INDUSTRY ROAD
 MARLETTA, OHIO 45750 USA
 800-762-2400

AQUATECH
 A PRODUCT OF HI-VAC CORPORATION

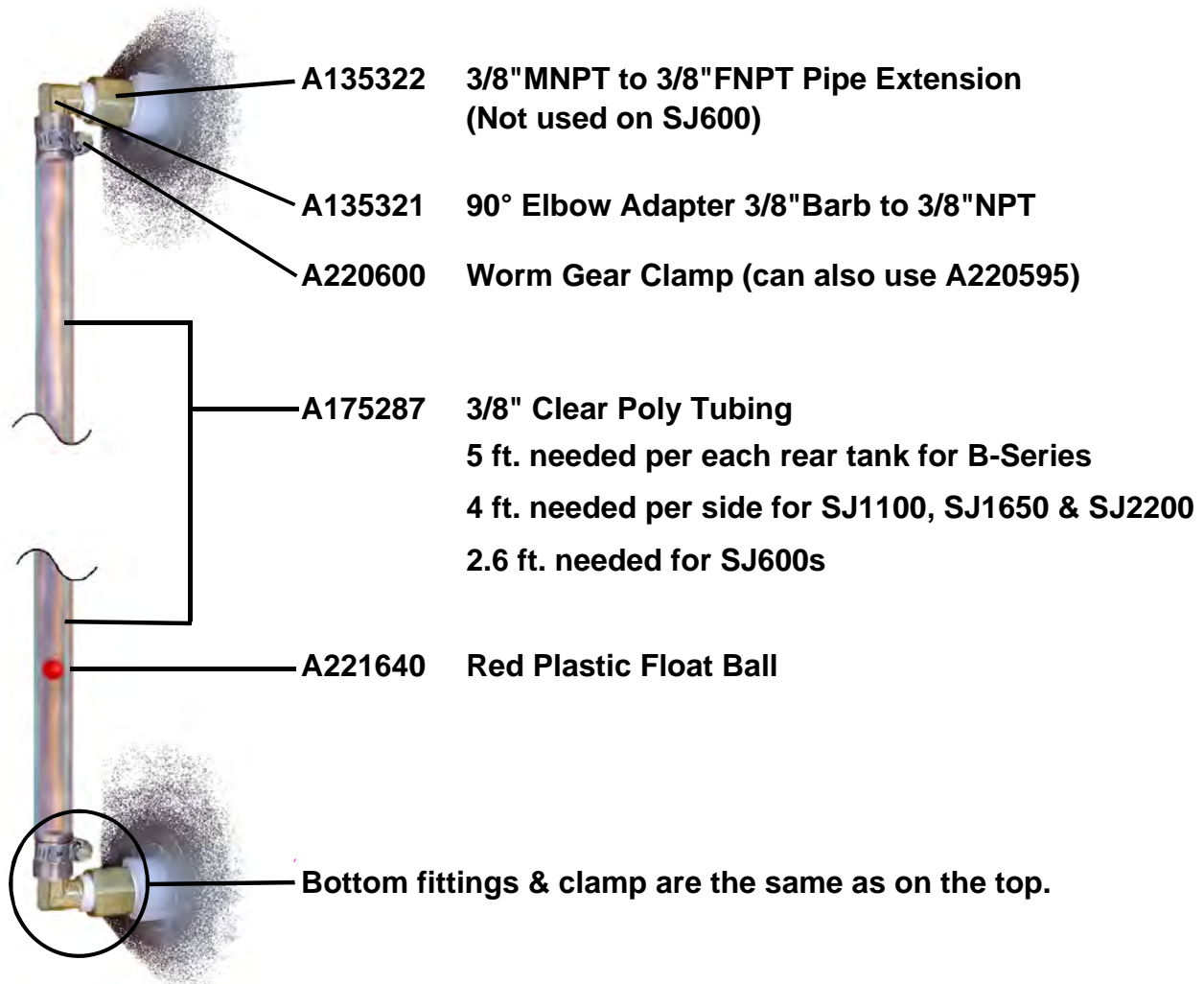
TITLE: **WATER TANK INSTALLATION**

SIZE: D
 DWG NO: **A385300_T**
 REV: **A**

1 OF 1

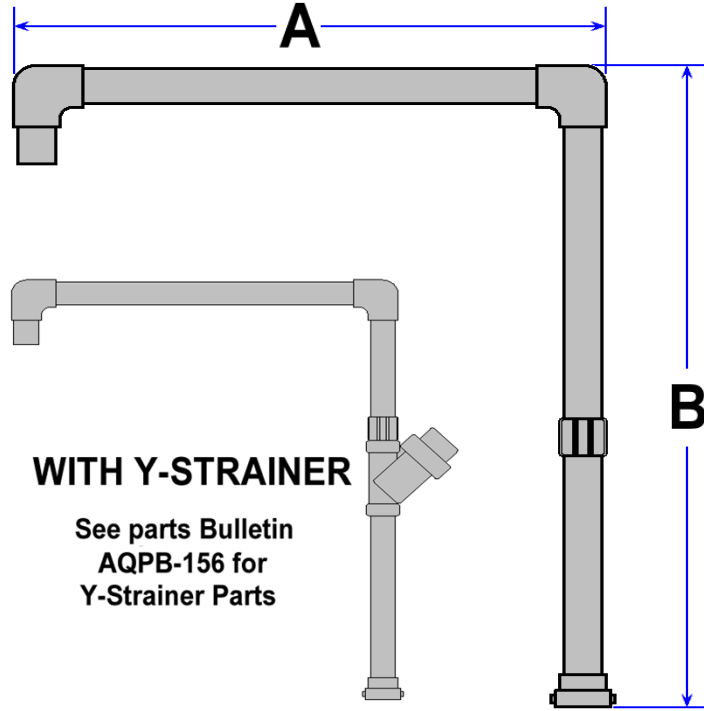
AQUATECH PARTS BULLETIN

This is an informational bulletin showing the components of the water level sight tube used on our polyethylene water tanks.





STANDARD B-SERIES FILLER PIPES



PART NUMBER	MATERIAL	DIM. A	DIM. B
A243768	Steel	36.5"	44"
A243768-SS	Stainless Steel	36.5"	44"
A243768-1	PVC	36.5"	44"
A382087	PVC w/Y-Strainer	36.5"	44"
A243768-2	PVC	36.5"	46"
A243768-3	Steel w/Y-Strainer	36.5"	47.125"
A243768-7	Steel	36.675"	47.1875"



FILL HOSE

Part No.	DESCRIPTION
A176150	2-1/2" x 25' M x FS
A176154	2-1/2" x 50' M x FS



FILL PIPE COUPLER

Part No.	DESCRIPTION
A140090	2" FNPT flange adapter
A140080	2.5" brass swivel nut w/gasket
A190830	Gasket only

Note: Fill Pipe Coupler is included with fill pipe assembly

AQUATECH®

OPTION P/N A220192 * AUTO. FILL W/ SHUTDOWN



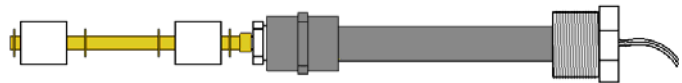
Level	Part Number	Description	Quantity	U/M	SC
1	A380109	VALVE,BALL,2",AIR/SPRING OPERA	1	EA	P
1	16-0295	VALVE,SOLENOID,MAC 12VDC	1	EA	P
1	A381671-1	SENSOR ASSY,WATER LEVEL,AUTO F	1	EA	M
1	13-1250	RELAY,12 VOLT,5 TERMINAL,20-30	1	EA	P
1	A176895	FITTING,SPINWELD,1-1/4"FNPT,FL	1	EA	P
1	A249470	NIPPLE,HEX,18 MNPT 1/8 MNPT,BR	1	EA	P
1	02-0900	ELBOW,SCH40,90D,1/8"NPT STREET	1	EA	P
1	A135405	FITTING,PUSH-CON,90D,1/4" TUBE	2	EA	P
1	A120861	SWITCH,TOGGLE,SPDT,ON-ON	1	EA	P
1	A121735	BOOT,TOGGLE SWITCH	1	EA	P



16-0295






13-1250



A381671-1

POLY TANK REPAIR ITEMS

The following products are available for repairing cracks and holes in our polyethylene water tanks.

ILLUSTRATION	HI-VAC NO.	DESCRIPTION
	A385008	Black Epoxy Adhesive (includes two mixer tips)
	A385009	Automix Applicator Gun
	A385010	Mixer Tip = Bag of 6 (order only if extras are required)
	A385011	Patching Screen
Picture not available	APOLY-001	Gray Polyethylene Patching Material (for used with soldering iron and heat gun)

These parts are also used on our



POLY TANK REPAIR

PREPARATION

1. Drain the tank. In order to repair the tank properly, you'll have to drain the tank below the level of the crack before starting the repair process.
2. Clean the area of the tank that needs to be repaired using soap and water. The surface of the tank needs to be free of any oil, grime or paint - just pure plastic. If a "crust" (hardened discolored plastic) has developed from prolonged exposure to the sun, the surface of the repair area will have to be sanded down to expose undamaged plastic.
3. Drill a hole at each end of the crack(s) with a small drill bit. This will prevent the crack from extending any further in either direction.
4. The repair is best done when it can be approached from both sides, but in most cases this is impossible, therefore the following step is recommended. Using a teardrop Dremel bit cut a shallow v-groove along the crack to allow repair material enter into the crack area. Be careful not to penetrate all the way through the tank.



REPAIR PROCEDURE USING POLYETHYLENE FILLER MATERIAL

1. Preheat the repair area with a heat gun (1000 to 1300 watts). Heat a slightly larger area than you are repairing to make sure that you have an even heat distribution over the entire crack. NOTE: Unless you are very experienced with plastic tank repairs, we do not recommend the use of a propane torch.

POLY TANK REPAIR

2. Add the filler material. Using a small strip of polyethylene filler material, place it over the crack and continue to heat the repair area with the heat gun. Slowly move the material so that it fills the crack completely. Smooth out the molten plastic with a putty knife so that it fills the entire area. Trim off any excess with a utility knife. A bag of the polyethylene filler material can be ordered under part number APOLY-001.



ALTERNATE METHOD: Using an electric soldering iron with a wide, flat tip suitable for working with plastics (such as the one pictured below), dip the hot tip into granulated polyethylene (included with p/n APOLY-001) and work small amounts into the crack or hole. Repeat as many times as necessary to build the affected area up to the surround surface. Use a smooth metal tool such as a spoon or spatula to work the material to conform with the surrounding surface. A heat gun may be used as a final step to completely smooth the area, but is not required. Test the tank. Once the repair is cool to the touch, re-fill the tank with water and check for any leaks. If a small leak appears, repeat the repair process.



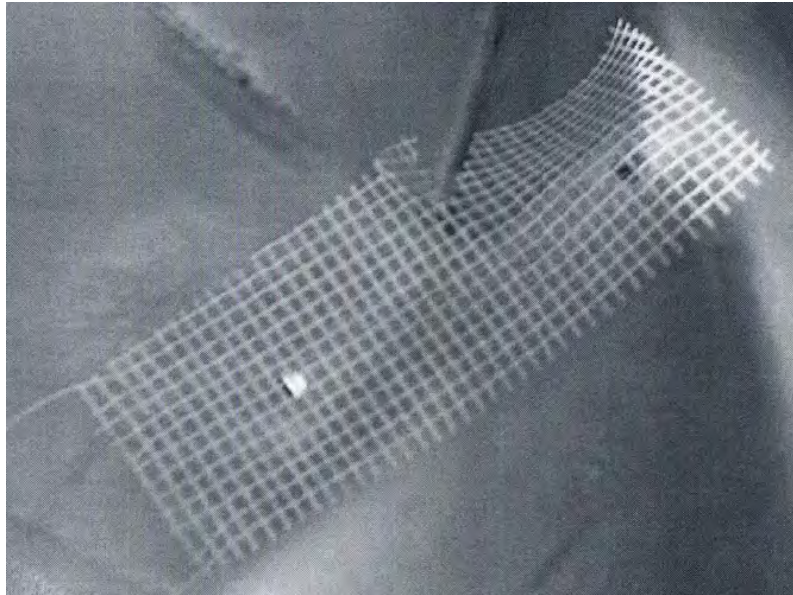
REPAIR PROCEEDURE USING ADHESIVE EPOXY

NOTE: Refer to parts bulletin AQPB-171 for part numbers for the adhesive repair items available from Hi-Vac Corporation.

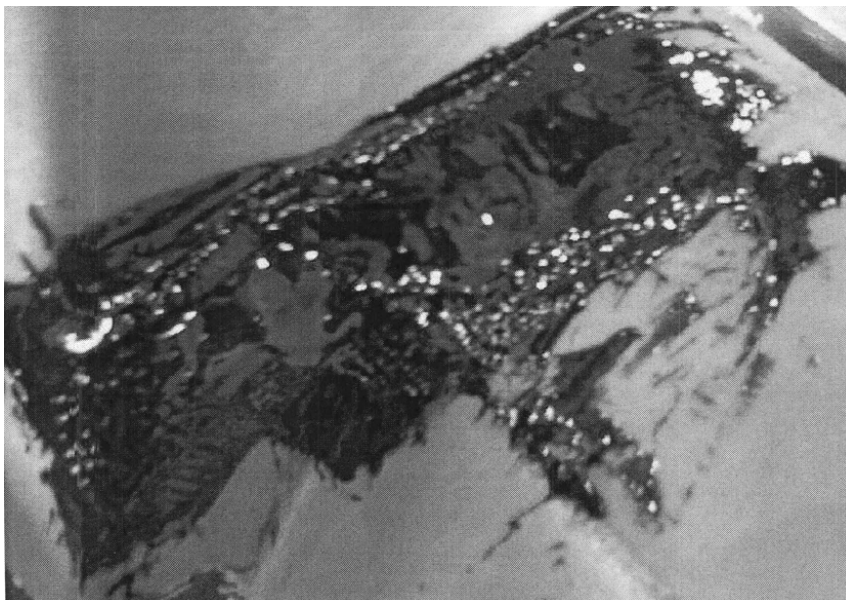
POLY TANK REPAIR



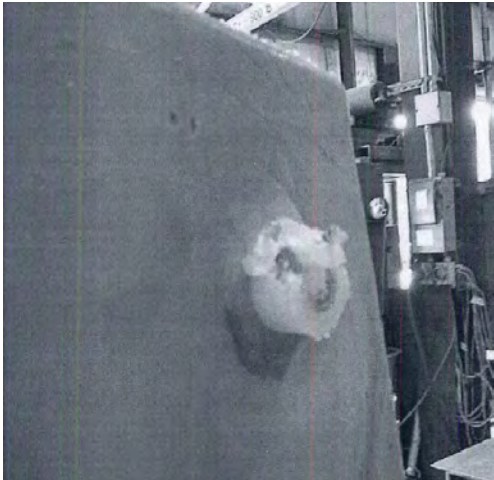
1. Rough up the repair area and v-groove with a wire wheel to provide a textured surface for the adhesive to better adhere to.
2. Cut the patching screen to cover the entire repair area. This will reinforce the epoxy.



3. Apply epoxy adhesive liberally over the patch area and smooth out with a putty knife or similar tool. Allow 24 hours for the adhesive to fully cure before adding water to the tank. If necessary paint the repair area to match the color of the tank.



QUICK AND EASY METHOD FOR REPAIRING BROKEN SIGHT TUBE PORTS



Here is a photograph of a broken sight tube "spinweld" fitting.

The tools needed for this repair are...

Mini Hack Saw (Hi-Vac P/N A385005)



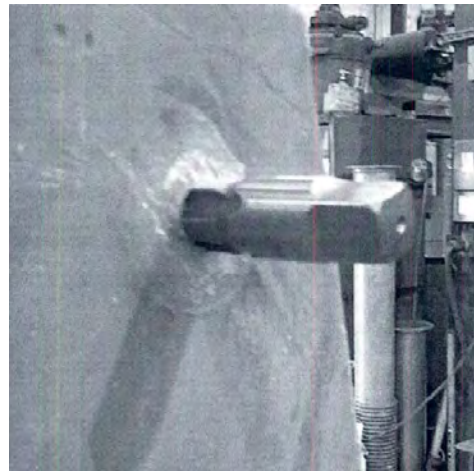
9/16" Drill Bit (Hi-Vac P/N A385007)



3/8" Pipe Tap (Hi-Vac P/N A385006)



The first step is to cut off the spinweld fitting close to the tank surface (leave the hump) with the Mini Hack Saw. Follow by sanding the area smooth. Then drill what's left of the spinweld fitting with the 9/16" drill bit.



The final step prior to reassembly is to tap the hole.



Fittings and sight tubes can now be replaced.



KING NIPPLES



MNPT	HOSE BARB	MATERIAL	PART NO.
1"	1"	?	A160078 *
1-1/4"	1-1/4"	?	A140135 *
1-1/4"	1-1/2"	Plated Steel	A140140-1
1-1/2"	1-1/2"	Plated Steel	A140140
1-1/2"	1-1/2"	Stainless St	02-7203
1-1/2"	2"	Plated Steel	A140145
2"	2"	Plated Steel	A140150
2"	2"	Sch40 PVC	144-7050
2"	2-1/4"	<i>Plated Steel</i>	<i>A140210 *</i>
2"	2-1/2"	Plated Steel	A388276
2"	3"	Plated Steel	A140151
2-1/2"	2-1/2"	Plated Steel	A142810-1
2-1/2"	3"	Plated Steel	A140161
3"	3"	Plated Steel	A140170
3"	3"	Sch80 Polypropylene	A176788
4"	4"	Plated Steel	A380394
6"	6"	<i>Plated Steel</i>	<i>A388341 *</i>

* *Dropped part – special order only*

BULK BANDING AND CENTER PUNCH CLAMPS (Special Tools Required)

5/8" WIDE BULK CLAMP MATERIAL


PART NO.	DESCRIPTION
A220721	5/8" Banding Material (per foot)
A220722	5/8" Buckle

The above is what we use in our plant for just about all our hose clamping requirements.



5/8" WIDE CENTER PUNCH CLAMPS

PART NO.	MAX ID SIZE
P08-0002	1 1/2"
P08-0029	2"
08-0452	3"
A220700	4"
A220710	6"
A220720	12"



A384941 Hand tool to be used with 5/8" Wide Center Punch Style Clamps.

HOSE CLAMPS

Nominal Hose I.D.	For "Corrugated" O.D. Hose		For smooth O.D. hose or helix hoses with smooth cuffs		
	Spiral Bolt Clamps		Double Bolt Clamp	T-Bolt Clamp	Center Punch Band Clamp
	Power-Lock Clamps	Tiger Clamps			
	 <i>CW spiral for standard helix hose</i>	 <i>CCW spiral for Kuriyama (Tigerflex) hose</i>			 <i>A384941 Banding tool required</i>
2"	08-0512	U4804-0049	A220437 (2.11" to 2.3" ID)	08-0506 (1.78" - 2.09" ID)	P08-0029
2.25"				08-0401 (2.28" - 2.59" ID)	08-0452 (range up to 3"ID)
2.5"	U4804-0026			A382126 (2.78" - 3.09" ID)	
3"	U4804-0027	08-0511	A220440 (3.25" - 3.5" ID)	U4607-0311 (3.39" - 3.68" ID)	
3.25"				05-0246-09 (3.31" - 3.59" ID)	A220700 (range up to 4"ID)
3.5"	U4804-0046		08-0016 (3.5" - 3.81" ID)	08-0510 (4" - 4.31" ID)	
4"	10-0582	U4804-0024	08-0018 (4.25" - 4.94" ID)	U4607-0216 (4.24" - 4.56" ID) 05-0246-10 (4.31" - 4.59" ID)	
4.5"			08-0019 (4.5" - 5.25" ID)	U4607-0235 (4.5" - 4.81" ID) U4607-0238 (4.75" - 5.06" ID)	A220710 (range up to 6"ID)
5"	A382107		A220450 (5.13" - 5.69" ID)	08-0493 (5.25" - 5.56" ID) 08-0492 (5.5" - 5.81" ID)	
6"	10-0580	U4804-0023	08-0442 (5.94" - 6.50" ID) 08-0022 (6.50" - 7.56" ID)	08-0519 (6" - 6.31" ID) 10-0575 (6.25" - 6.56" ID)	
7"			A220460 (7.69" - 8.19" ID)	10-0703 (7.25" - 7.56" ID)	A220720 (range up to 12"ID)
8"	U4804-0022	A220698	10-0645 (8.25" to 8.75" ID) 08-0025 (8.94" to 9.88" ID)	A381225 (8.66" - 8.94" ID)	
10"	U4804-0025	U4804-0033	A220472 (9.94" to 11.38" ID)		
12"	U4804-0028	U4804-0044	A220475 (12.19" to 14" ID)		

WORM GEAR CLAMPS



PART NUMBER	INDUSTRY (SAE) SIZE	DIAMETER RANGE		BAND WIDTH	MATERIAL	
		FROM:	TO:		BAND	SCREW
10-0499	No. 4 Mini	7/32"	5/8"	5/16"	200 SS	Cd. Pltd. CS
A220595	No. 4 Mini	7/32"	5/8"	5/16"	300 SS	Zinc Pltd. CS
A220599	No. 4SS Mini	7/32"	5/8"	5/16"	300 SS	300 SS
A220600	No. 6SS	3/8"	7/8"	1/2"	201/301SS	410 SS
A220630	No. 10SS	9/16"	1-1/16"	9/16"	300 SS	300 SS
A220605	No. 12	1/2"	1-1/4"	9/16"	200 SS	Cd. Pltd. CS
A220606	No. 12SS	11/16"	1-1/4"	1/2"	201/301SS	305 SS
U7000-0265	No. 12SS	1/2"	1-1/4"	9/16"	201/301SS	410 SS
A220640	No. 16SS	3/4"	1-1/2"	9/16"	300 SS	300 SS
A220650	No. 20SS	13/16"	1-3/4"	1/2"	201/301SS	305 SS
U6000-0069	No. 24SS	1"	2"	9/16"	201/301SS	410 SS
A220660	No. 28SS	1-1/4"	2-1/4"	9/16"	201/301SS	410 SS
U4804-0031	No. 28	1-5/16"	2-1/4"	1/2"	201/301SS	Zinc Pltd. CS
705-1017	No. 28	1-1/4"	2-1/4"	9/16"	201/301SS	Plated CS
A220610	No. 32SS	1-1/2"	2-1/2"	9/16"	201/301SS	410 SS
10-0042	No. 32SS	1-9/16"	2-1/2"	9/16"	300 SS	300 SS
705-1019	No. 36	7/8"	2-3/4"	1/2"	200 SS	Cd. Pltd. CS
U0101-0685	No. 36	1-13/16"	2-3/4"	1/2"	201/301SS	Zinc Pltd. CS
A220620	No. 40	2-1/16"	3"	1/2"	201/301SS	Plated CS
U7000-0012	No. 40SS	2"	3"	9/16"	201/301SS	410 SS
U4804-0047	No. 48 Quick Release	2-9/16"	3-1/2"	1/2"	201 SS	Steel thumb screw
A220625	No. 56 Marine	3-1/16"	4"	1/2"	316 SS	316 SS
A220621	4" High Torque Marine	3-1/4"	4-1/8"	5/8"	304 SS	410 SS
U7000-0011	No. 72SS	3"	5"	1/2"	201/301SS	410 SS
10-0046	No. 72SS	3-1/8"	5"	1/2"	300 SS	300 SS
10-0047	No. 88SS	4"	6"	9/16"	201/301SS	410 SS
A220680	No. 104	5"	7"	1/2"	201/301SS	Plated CS
A220627	No. 104SS	5"	7"	1/2"	201/301SS	410 SS
U7000-0160	No. 152	7-1/8"	10"	1/2"	201/301SS	Zinc Pltd. CS
A220715	No. 152SS	2"	10"	1/2"	201/301SS	201/301SS
U7000-0243	No. 224SS	12-1/2"	14-1/2"	9/16"	301 SS	305 SS

AQUATECH[®]

PARTS BULLETIN

Bulletin No. AQP-B-159

Issued: 03/31/11 by RR - Revised 07/25/16

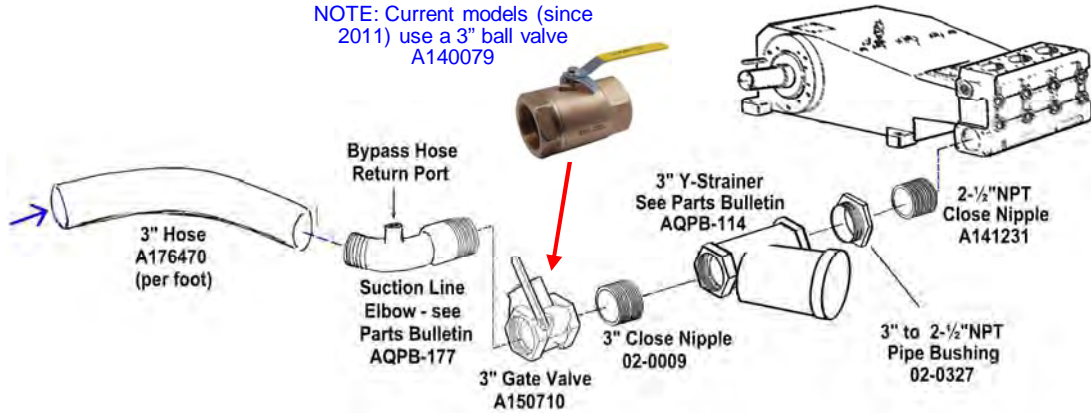
Subject: Water Supply Components

File In Water Section, Low Pressure Side

For your convenience, here is a listing for typical components that convey water from the water tanks to the water pump on our Aquatech B-series machines.

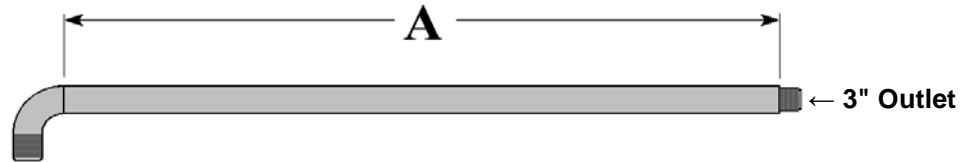
Power Deck Area (Typical)

TYPICAL B-SERIES WATER PUMP INLET COMPONENTS



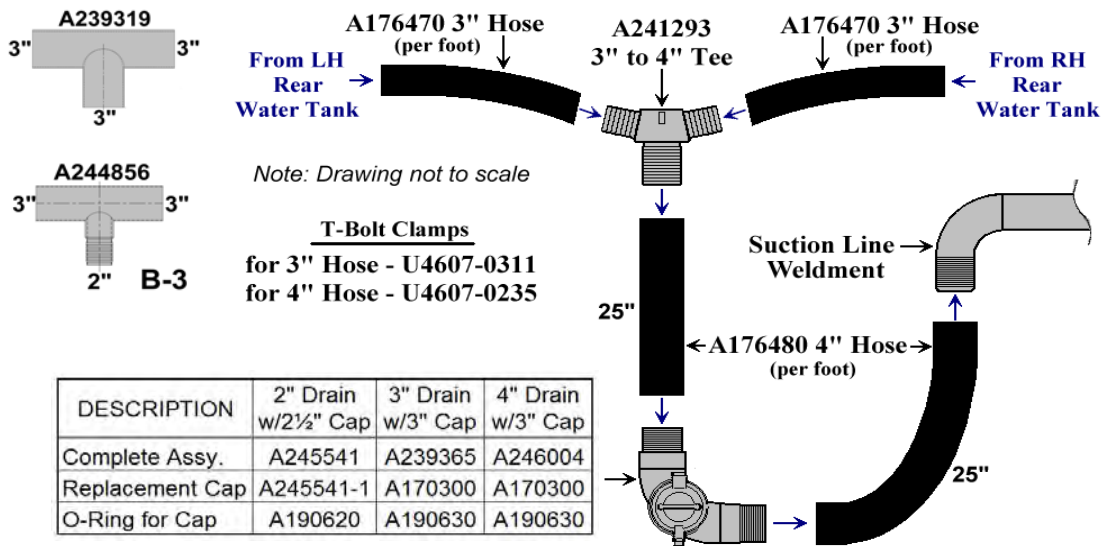
Along The Frame

Suction Line Weldment circa 1998 and later.



PART NO.	TUBE O.D.	"A" LENGTH	BEND	TYPICAL APPLICATION
A380409	3"	61-3/4"	90°	B-6 & B6EW
A246230-4	4"	61-3/4"	90°	B-6 with 80gpm pump
A246230-8	2"	72"	90°	B-3
A246161-1	3"	101"	90°	B-15KD
A246230	4"	101"	90°	B-5, B-6/1500, B-7/1500, B-10, B-10/1500 and B-52
A246230-3	4"	130"	90°	B-7 & B10 (rarely used)
A246230-7	4"	139"	90°	B-10/2500 & some B-15
A246230-10	4"	150"	90°	B-10, units with A130613 street flusher option
A246230-1	4"	166"	90°	B-10/2000, B-10/2500, B-12/2000, B-15
A246230-9	4"	166"	90°	B-15, has return port for cold weather recycling

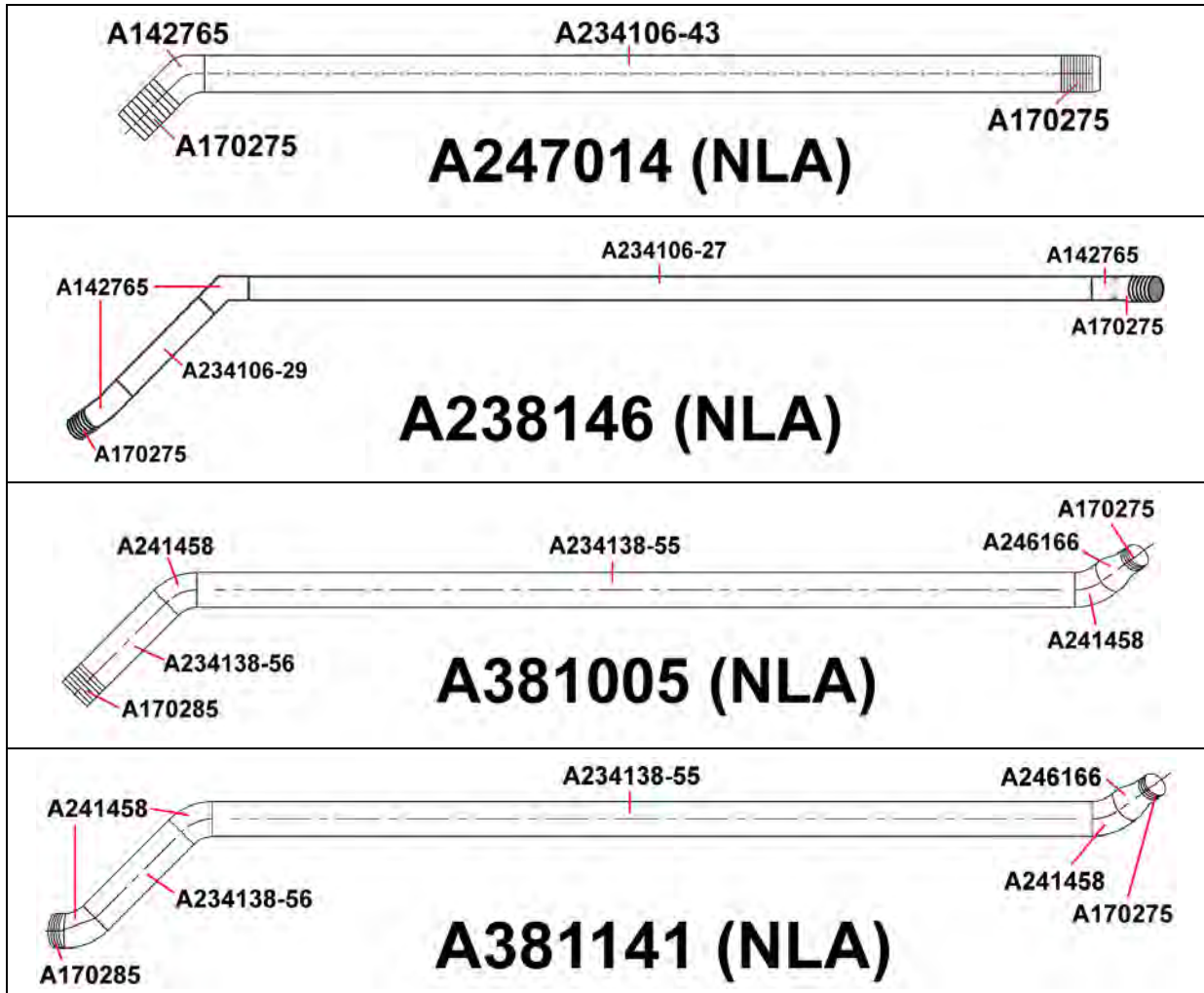
Rear of Unit





WATER SUCTION LINES FOR PRE-HI-VAC (BEFORE 1999) UNITS

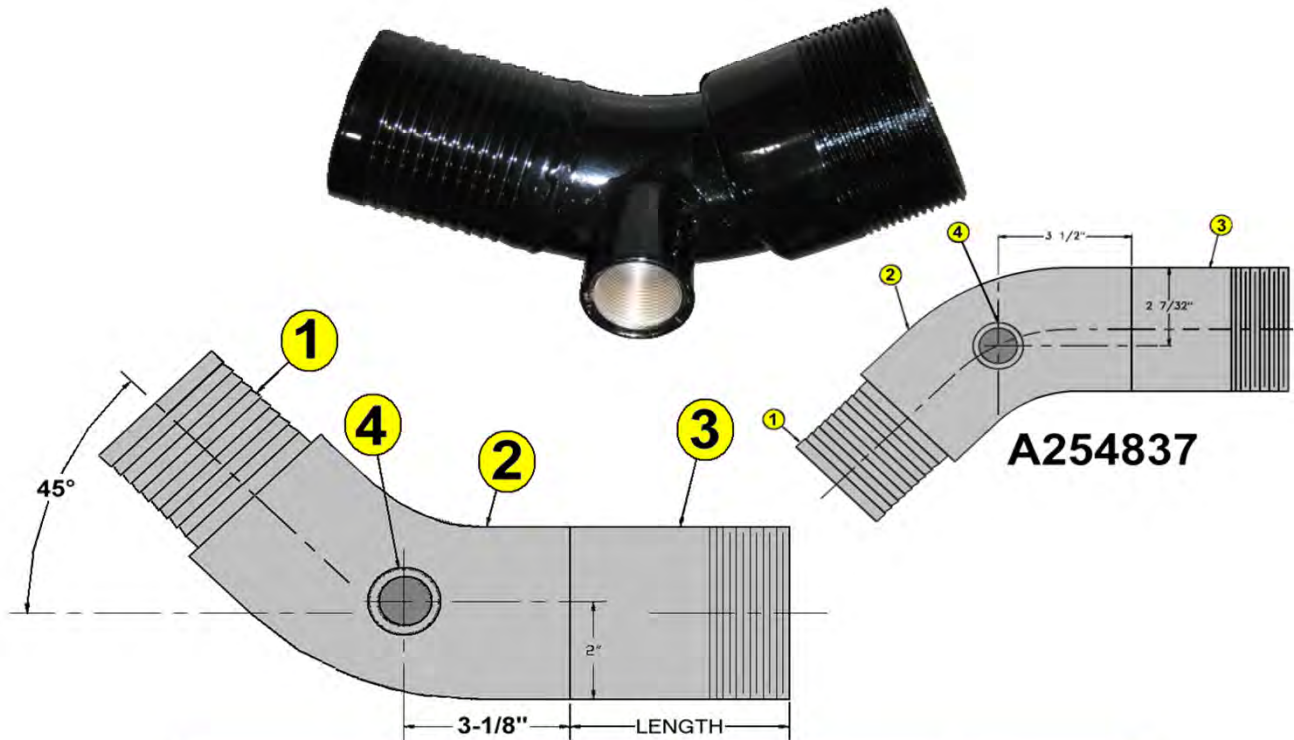
The suction lines below for older B-Series machines are obsolete. These feature 45° turn downs at the rear of the unit whereas current suction lines have 90° turn downs. Components are listed for those wishing to fabricate their own replacement suction line.



PART NO.	DESCRIPTION
A142765	3"OD 45° Elbow, 11ga, Weld-On
A170275	3" Hose Barb Weld-On (Half Mender)
A170285	4" Hose Barb Weld-On (Half Mender)
A234106-27 (NLA)	3"OD 16ga X 101"L Tube – order 9' of p/n 02-0706-CS and trim to fit or obtain locally
A234106-29 (NLA)	3"OD 16ga X 23"L Tube – order 2' of p/n 02-0706-CS and trim to fit or obtain locally
A234106-43 (NLA)	3"OD 16ga X 68"L Tube – order 6' of p/n 02-0706-CS and trim to fit or obtain locally
A234138-55	4"OD 16ga X 101"L Tube
A234138-56 (NLA)	4"OD 16ga X 14-7/8"L Tube – order 2' of p/n 02-0708-CS and trim to fit or obtain locally
A241458	4"OD 45° Elbow, 11ga, Weld-On
A246166	Ring Adapter, 10ga, 2-5/8"ID X 3-7/8"OD

B-SERIES SUCTION LINE ELBOWS

For your convenience here is a listing of all the suction line elbows used to transition the water supply pipe (suction line) to the ball or gate valve just prior to the Y-strainer.



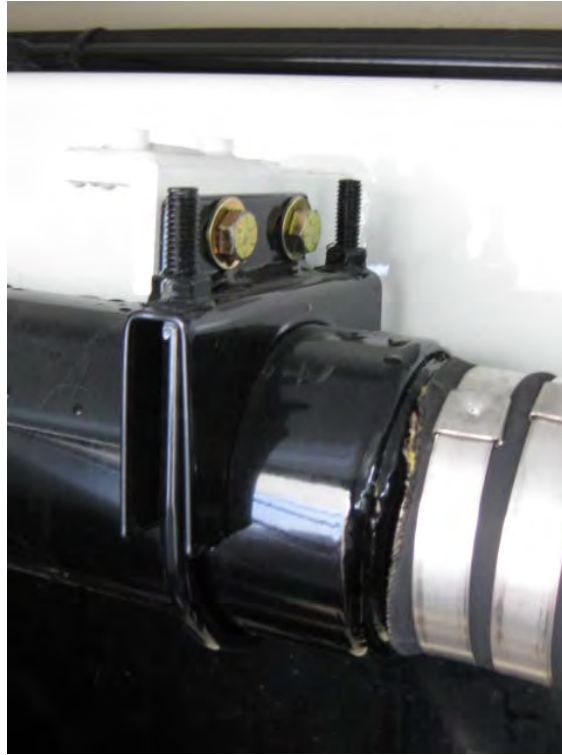
PART NO.		ITEM 1	ITEM 2	ITEM 3		ITEM 4
		INLET	BEND	OUTLET	LENGTH	RETURN PORT
A254835-6	*	3" Barb	45°	2"MNPT	3"	None
A254835-3		3" Barb	45°	2"MNPT	3"	1"
A254835-2		3" Barb	45°	2.5"MNPT	3"	1"
A254835-5	*	3" Barb	45°	3"MNPT	3"	None
A254835	*	3" Barb	45°	3"MNPT	3"	1"
A254835-1		3" Barb	45°	3"MNPT	6.5"	1"
A254835-LH	+	3" Barb	45°	3"MNPT	3"	1"
A254837		3" Barb	45°	3"MNPT	3"	1"

* Available Galvanized, add -G suffix

* Mirror of A254835

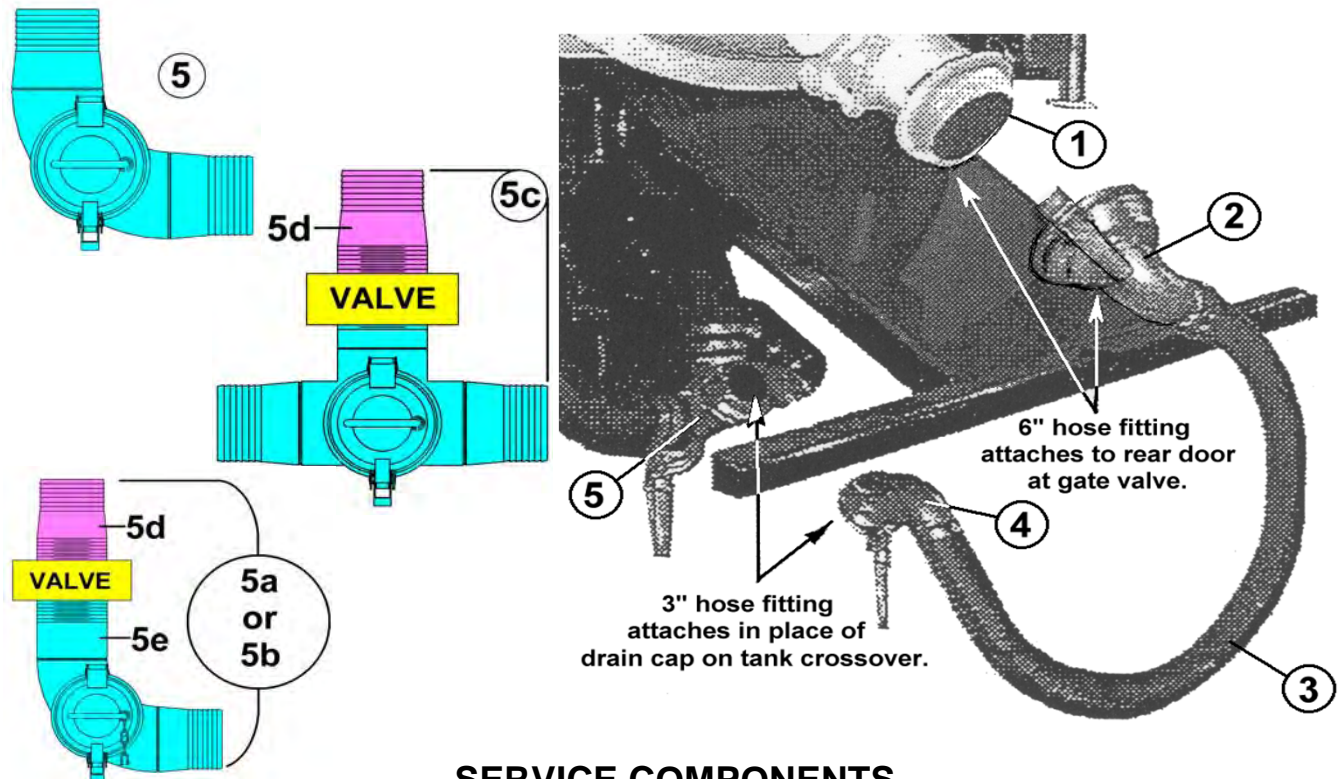


A380344 Suction Line Mounting Clamp



TANK INTERCONNECT OPTION

This bulletin is being released to supplement the information in the parts manual on the Water Tank Interconnect option which allows additional water for jetting (or street flushing, if so equipped) to be carried inside the debris tank.

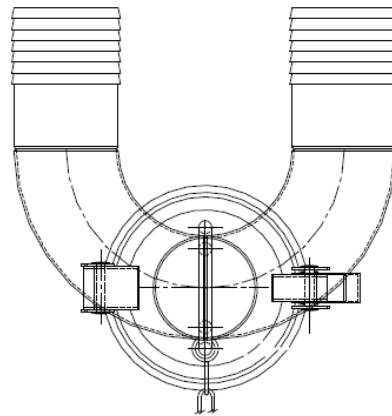


SERVICE COMPONENTS

ITEM	PART NUMBER	DESCRIPTION	COMMENT
1	A170375	6"MNPT to Aquatech Male Coupler	Repl. Component
2	A245631	6" Female Coupler to 3" 90° hose shank	Repl. Component
2a	A190760	6" Coupler O-Ring used with above A245631	Repl. Component
3	A176470	3" Rubber Hose (6' required)	Repl. Component
4	A171665	3" Female Coupler to 3" 90° hose shank	Repl. Component
4a	A190630	3" Coupler O-Ring used with above A171665	Repl. Component
2 thru 4a	A238230	Tank Interconnect Hose Assembly with O-Rings	Clamped Assembly
5	A246004	Standard 4" Drain Elbow Weldment (4" Barb x 4" Barb)	Standard Equipment
5a	A380302	4" Drain Elbow Weldment with A150725 4" Gate Valve	Optional
5b	A380302-1	4" Drain Elbow Weldment with A382094 4" Ball Valve	Optional
5c	A380302-2	4" Drain Tee Weldment with A150725 4" Gate Valve	Street Flusher Units
5d	A380394	King Nipple, 4" Barb X 4" MNPT	Repl. Component
5e	A380302-3	4" Drain Elbow Weldment 4" Barb X 4" MNPT	Repl. Component
not ref.	U4607-0311	T-Bolt Clamp for 3" Hose	Repl. Component
not ref.	U4607-0235	T-Bolt Clamp for 4" Hose	Repl. Component



A380325 B-5 DRAIN ASSEMBLY



3" Hose Barbs, 180° Bend, 3" Cap

Replacement Cap: A170300

Replacement Cap O-Ring: A190630



SERVICE TIP

SUCTION LINE GATE VALVE

During operation of the machine, the suction line gate valve, which supplies water to the water pump, may close. If this valve closes while the water pump is engaged cavitation may result.

Cavitation of the pump is characterized by heavy pulsation and knocking in the water system. The hose may jump and pulsate violently.

If this condition should occur, immediately bring the throttle speed to an idle, and reposition the gate valve handle in the open position.

Tighten the packing nut on the valve stem (indicated by number one in the accompanying illustration) so that the handle exerts resistance to movement. When this procedure has no effect on the resistance to the movement of the handle, replace the packing.

Do not allow the pump to continue to cavitate! Do not run the pump with the suction line gate valve closed! Damage to the pump, water system components or physical injury to the operator may result.



1

AQUATECH®

GATE VALVES

Note:
Photos
may not be
exact



NPT SIZE	SCREW TYPE	LEVER TYPE	PISTON TYPE	PNEUMATIC TYPE
1/2"	A140001			
3/4"	A383013			
1"	A140020			
1 1/4"	A140030			
1 1/2"	A140040			
2"	A140050	A150699		
2 1/2"	A140060	A150700		
3"	A140075	A150710		
4"		A150725	A150775	
6"		A246115	A150800	A304124
8"			A150810	

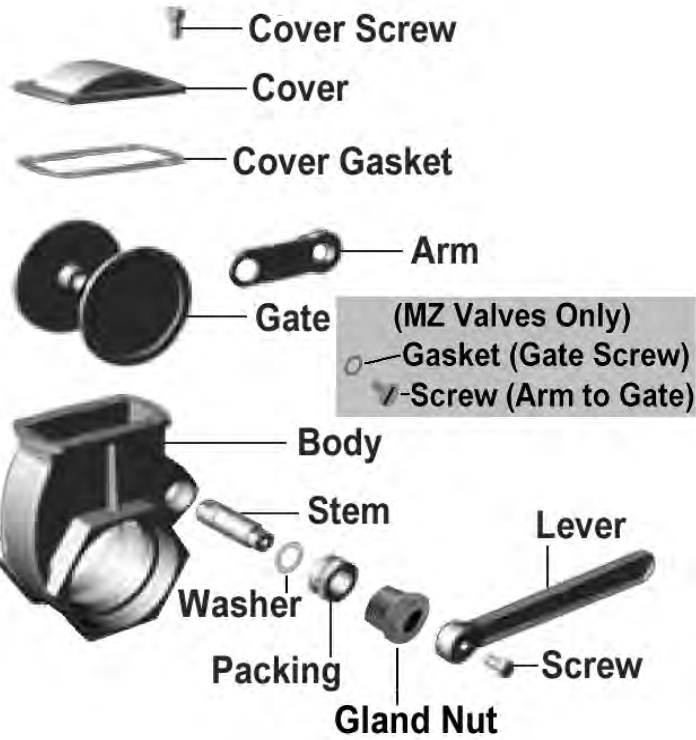
A383013 replaces p/n A140010

LEVER STYLE GATE VALVE PARTS

RIV



MZ

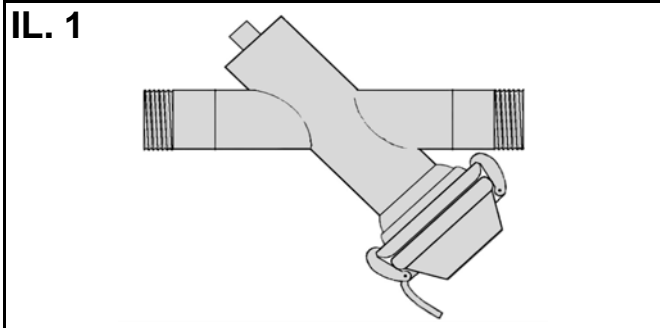


REPAIR KIT

Valve Part Number	A150710		A150725		A246115	
SIZE →	3"		4"		6"	
MAKE →	MZ	RIV	MZ	RIV	MZ	RIV
Cover Screw	TBA *	TBA	TBA	TBA	TBA	TBA
Cover	TBA	TBA	TBA	TBA	TBA	TBA
Cover Gasket	TBA *	TBA	TBA	TBA	A246115-11MZ	TBA
Arm	TBA *	TBA	TBA	TBA	A246115-10MZ	TBA
Gate	TBA	TBA	TBA	TBA	A246115-9MZ	TBA
Gasket (Gate Screw)	A246115-8MZ	TBA	A246115-8MZ	TBA	A246115-8MZ	TBA
Screw (Arm to Gate)	TBA	TBA	TBA	TBA	TBA	TBA
Body	TBA	TBA	TBA	TBA	TBA	TBA
Stem	TBA *	A150710-4	TBA	TBA	A246115-6MZ	A246115-3
Washer (Gasket)	not used	A150710-5	not used	TBA	not used	TBA
Packing	A246115-4MZ *	A150710-6	A246115-4MZ	A246115-2	A246115-4MZ	A246115-2
Gland Nut	TBA *	A150710-7	A246115-2MZ	TBA	A246115-2MZ	TBA
Lever	TBA	A150712	TBA	A150712	TBA	A150712
Screw (Lever Retaining)	A246115-3MZ *	A150710-9	A246115-3MZ	TBA	A246115-3MZ	A246115-1
Repair Kit (* items)	A150710-MZRK	NA	TBA	NA	A246115-MZRK	NA

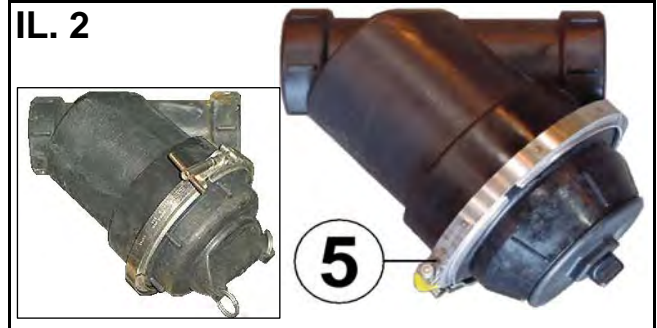
SUCTION LINE Y-STRAINERS

This is an informational bulletin to help identify the Y-Strainers use on our truck mounted units.



OBSOLETE A240026

This is the original metal Y-strainer used by Aquatech, Inc. It was found on just about all truck mounted units (C-series, B-series, SJ, and SJR) up until the mid 90s. It featured 2½" male NPT threads and a camlock cap. The assembly is obsolete and must be retrofitted by A380819 or A380820.



OBSOLETE A240027 & A380806

These 3"FNPT Y-strainer feature a stainless steel V-band clamp to hold the cap on. The earlier version of this strainer (p/n A240027 in the inset) had a T-handle nut on the clamp. The succeeding version (p/n A380806) utilized a locknut on the clamp and added a cap with a screw out outer cap to access the screen. Both of these are no longer available and are replaced by p/n A380820 below.



A380819

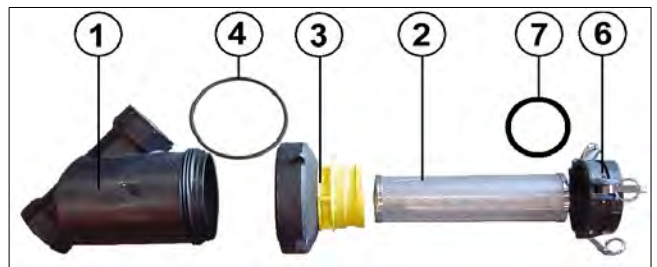
The A380819 replaced the A240027 in production. Initially this was a running change made by Aquatech Inc. and part number A240027 was listed in many owners manuals for this strainer. Later part number A380819 was established to help alleviate confusion over replacement components.



A380820

This is the 3"FNPT Y-Strainer used in our current production machines and is by far the best design. The camlock outer cap makes it easy to check the screen on a regular basis.

Note: To prevent damage to the cap ears for the above two Y-strainers, we suggest that spanner wrench part no. A380193 be purchased also.



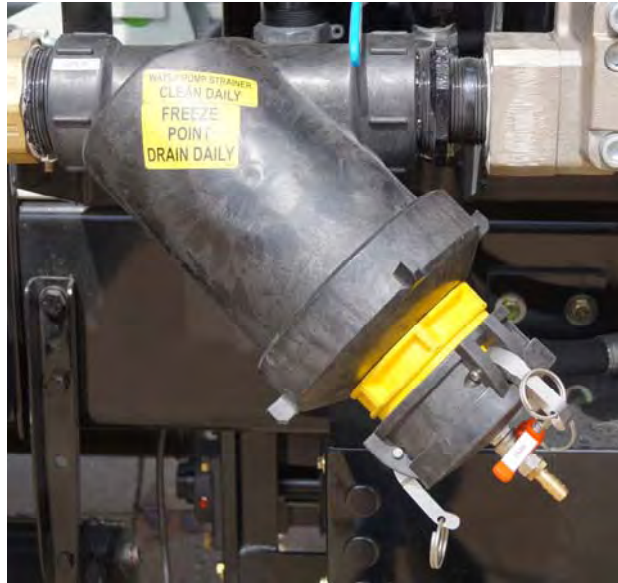
IL.	STRAINER ASY.	1. BODY	2. SCREEN	3. BODY CAP	4. O-RING	5. CLAMP	6. OUTER CAP	7. GASKET
1	A240026 *	NLA	A131107	A170310	A190770	Not Used	Not Used	Not Used
2	A240027 *	NLA	NLA	NLA	NLA	USE A380806-2	Not Used	Not Used
2	A380806 *	A380806-5	A380806-4	A380806-3	A380806-1	A380806-2	NSS	Not Used
3	A380819	A380819-4	A240028	A240027-3	A240034	Not Used	Not Used	Not Used
4	A380820	A380820-5	A380820-1	A380820-3	A240034	Not Used	A380820-4	A380820-7

* Designates obsolete part number



P/N A380820-PET

A380820 3" Y-STRAINER FITTED WITH A 3/8" PETCOCK



P/N A383116

CAP ONLY FITTED WITH A 3/8" PETCOCK



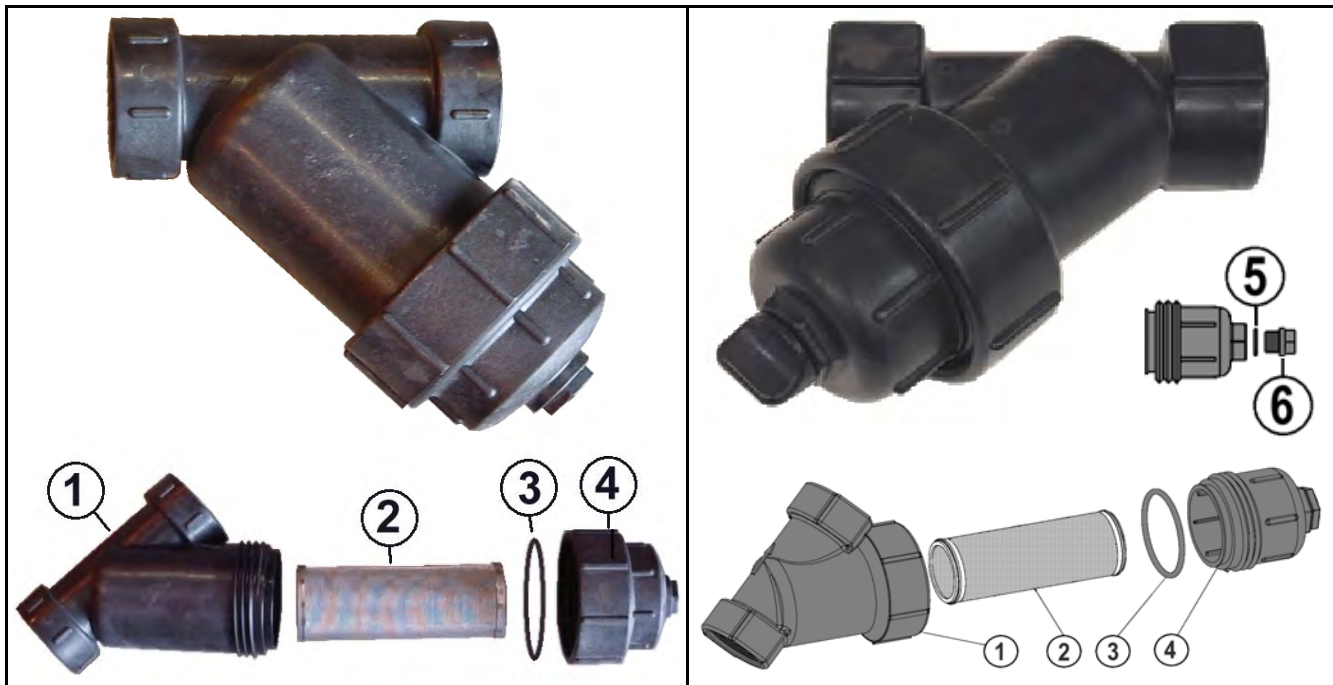
Consists of:

- A151550 3/8" Ball Valve
- A380820-4 Camlock Cap

The petcock is installed by drilling and tapping the cap.

2" Y-STRAINER

Effective October 1, 2014 the A240029 2" Y-Strainer has been replaced by part number A384053. For your convenience, here is a component listing for both strainers. The main tell-tale difference in appearance is the cap. The A240029 cap has internal threads versus the external threads on the cap for the A384053. The 2" Y-Strainer is found on water suction lines on B-3, JVL, SJ-300P & SJ-600P, X-Vacs and is also optionally used on the water tank fill pipes on the B and X Series.



ITEM	DESCRIPTION	PART NUMBER	PART NUMBER
ASSY	2" Y-Strainer Assembly	A240029 (NLA)	A384053
1	Replacement Body	NSS	A384053-6
2	Replacement Screen	A240029-1	A384053-5
3	Replacement Cap Gasket	A240029-2	A384053-2
4	Replacement Cap	A240029-3	A384053-1
5	Replacement Drain Plug Gasket	--	A384053-4
6	Replacement Drain Plug	--	A384053-3

OLD SJ-600 WATER STRAINER

Inline water strainer part number A235233 (below left) is obsolete. It was used on older SJ300E and SJ600E trailer jetties and then was replaced by part number A131098 (below right). When retrofitting the older design with the newer, a part number A140145 2" Hose X 1½"MNPT King Nipple and a part number A141010 1½" Close Nipple will also be required.

	<p><i>Photo submitted by Bill Crawley with R.N.O.W. Inc.</i></p> 		
<p>REPLACEMENT PARTS A190620 O-Ring A170290 Cap w/Chain No other parts are available</p>	<p>REPLACEMENT PARTS 1 - A131103 Body 2 - A131089 Gasket 3 - A131096 Screen 4 - A131097 Bowl</p>		
<p>A235233 Fabricated Metal Strainer 2" Hose Barb to 1½"MNPT</p>	<p>A131098 Purchased Plastic Strainer 1½"FNPT to 1½"FNPT</p>		



A131098 was also used some early model B-3s.

Photo submitted by Butch Patney with W. E. Timmerman Co.

AQUATECH[®]

A388019

GLYCOL ANTIFREEZE SYSTEM

Level	Part Number	Description	Quantity	U/M	SC
1	A388017	TANK, POLYETHYLENE, 50 GAL, PCO, 1	1	EA	P
1	A388016	SUPPORT, TOOLBOX MNT, 50 GAL GLY	1	EA	M
1	A338197	WELDMENT, CLAMP, TOOL BOX BRAC	4	EA	M
1	A235232-22	NIPPLE, SCH80, 1" X 4", TBE	1	EA	P
1	A132466	NIPPLE, PIPE, 1" X 7 1/2" L, SCH80	2	EA	P
1	A132503	NIPPLE, SCH80 PIPE, 1" NPT X 30"	2	EA	M
1	A130901	VALVE, BALL, 1", 2000PSI	1	EA	P
1	A130920	VALVE, BALL, 1", 3-WAY, W/OFFSET S	3	EA	P
1	C3069X16	NIPPLE-HEX 1" MPT X 1" MPT	3	EA	P
1	A132841	TEE, PIPE, 1", L, 3000#, H.D.	1	EA	P
1	A130790	ADAPTER, SWIVEL, 1" FNPTS X 1" MNP	6	EA	P
1	A234996-38-EXT	HOSE ASSY, 1" -R2-78", 1MNPT-1MNP	3	EA	P
1	A388018	VALVE, BALL, DIVERter, 3" FNPT, T2	1	EA	P
1	02-0009	NIPPLE, SCH40, 3" NOM X CLOSE, 2-5	1	EA	P
1	A133965	3" X 1" L HEX REDUCER BUSHING	1	EA	P
1	A133110	ELBOW, PIPE, 90D, STREET, 1", L	3	EA	P
1	A234996-74	HOSE ASSY, 1" -R2-276", 1" MNPT X	1	EA	P
1	A235232-19	PIPE, SCH80, 1" X 80", TBE	1	EA	M
1	A130690	ADAPTER, SWIVEL, 1" FNPTS X 1" FNP	2	EA	P
1	A220584	CLAMP FOR 1" SCH 80 PIPE MOUNT	18	EA	P
1	A220587	COVER PLATE FOR TUBE MOUNT CLA	6	EA	P
1	A220588	WELD PLATE FOR TUBE MOUNT CLAM	6	EA	P
1	02-0938	ELBOW, PIPE, 90D, 1" FNPT, 150#	4	EA	P
1	A132504	NIPPLE, SCH80, 1" PIPE X 17", T.B	1	EA	M
1	A388020	STRAP, NYLON, HOLD DOWN, 2" X 48"	2	EA	P
1	A387495	BRACKET, 3-WAY BYPASS VALVE, FRO	2	EA	M





A387194 DEGREASER SYSTEM INSTALLATION



Part No.	Description	Qty	U/M
A387193	DEGREASER PUMP KIT	1	EA
A382547	TANK, 12 GAL., GLYCOL SYSTEM	1	EA
A384794	STRAP, TIE-DOWN, 1" X 48" NYLON, RATCHET	2	EA
A384793	ADAPTER, STR., 1/2" DOT TUBE X 1/2" MNPT	1	EA
A131736	BUSHING, REDUCER, BRASS, 3/4" X 1/2"	1	EA
A384792	BASE, TANK MOUNTING, 12 GAL. DEGREASER	1	EA
A135427	ADAPTER, TEE, BRANCH, MALE, #4	1	EA
A221500	BUSHING, REDUCER, 1/4" X 1/8", BRASS	1	EA
A135301	ADAPTER, ELBOW, 90D, STREET, #4MNPT X #4FNPT	1	EA
A132110	NIPPLE, SCH40, 3/8" X CLOSE, BLACK	1	EA
20035	VALVE-BALL 3/8" 3000 PSI	1	EA



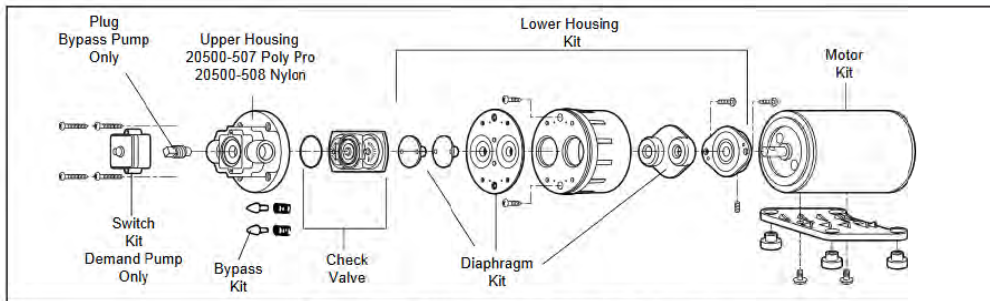
A387193 DEGREASER PUMP KIT



A387193-SPEED CON

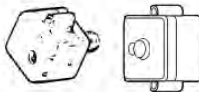


A387193-PUMP



PARTS KIT DESCRIPTIONS

Switch Kit:
Complete pressure switch with wire leads.



Check Valve Kit:
Check valve assembly with "O" ring.



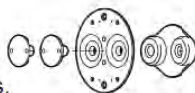
Bypass Kit:
Bypass poppets and springs, two each.



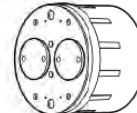
Cam/Bearing Kit:
Cam/bearing assembly with screw.



Diaphragm Kit:
Diaphragm with inner and outer pistons and screws.



Lower Housing Kit:
Lower housing with cam, diaphragm and piston assembly.



Motor Kit:
Complete motor assembly.



A387193-SPEED CON

P/N A382547

12 GALLON PLASTIC RESERVOIR TANK

Used on glycol & degreaser systems.



Replacement 6" Cap	A382547-CAP
Bulk Head Fitting, 1/2" NPT	A383038
Vent Cap, 1/2" MNPT PCV (red arrow)	A304602
Strap, Tie Down (2 used)	A384794